

IMPORTANT

BEFORE OPERATING YOUR APPLIANCE PLEASE READ ALL OPERATING INSTRUCTIONS, AND SAFETY INSTRUCTIONS TO RECEIVE MAXIMUM ENJOYMENT. ALL INSTRUCTIONS SHOULD BE PROPERLY FOLLOWED.



CAUTION: TO REDUCE THE RISK OF ELECTRIC SHOCK DO NOT REMOVE COVER (OR BACK) SINCE THERE ARE NO USER-SERVICABLE PARTS INSIDE. REFER SERVICING TO QUALIFIED TECHNICIANS.



DANGEROUS VOLTAGE

This symbol indicates to the user that the voltage of the circuits is of sufficient magnitude to constitute a risk of electric shock.



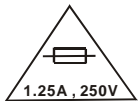
ATTENTION

This symbol indicates to the user that the instruction manual contains important operating and maintenance instructions.



LASER SAFETY : THIS UNIT EMPLOYS A LASER. ONLY A QUALIFIED SERVICE PERSON SHOULD REMOVE THE COVER OR ATTEMPT SERVICE. THIS DEVICE DUE TO POSSIBLE EYE INJURY.

CAUTION : INVISIBLE LASER RADIATION WHEN OPEN AND INTERLOCKS DEFEATED. AVOID EXPOSURE TO THE BEAM.



RISK OF FIRE-REPLACE FUSE AS MARKED

WARNING : TO PREVENT FIRE OR SHOCK HAZARD , DO NOT EXPOSE THIS APPLIANCE TO RAIN OR MOISTURE.

CAUTION :

- TO PREVENT ELECTRIC SHOCK, MATCH WIDE BLADE OF PLUG TO WIDE SLOT, FULLY INSERT.
- IN CASE OF MISFUNCTION DUE TO ELECTROSTATIC DISCHARGE OR ELECTRICAL FAST TRANSIENT (Burst), JUST RESET THE PRODUCT (RECONNECT OF POWER SOURCE MAY BE REQUIRED) TO RESUME NORMAL OPERATION.

IMPORTANT SAFETY PRECAUTIONS

1. READ THESE INSTRUCTIONS.
2. KEEP THESE INSTRUCTIONS.
3. HEED ALL WARNING.
4. FOLLOW ALL INSTRUCTIONS.
5. DO NOT USE THIS APPARATUS NEAR WATER.
6. CLEAN ONLY WITH DRY CLOTH.
7. DO NOT BLOCK ANY VENTILATION OPENINGS. INSTALL IN ACCORDANCE WITH THE MANUFACTURER'S INSTRUCTIONS.
8. DO NOT INSTALL NEAR ANY HEAT SOURCES SUCH AS RADIATORS, HEAT REGISTERS, STOVES, OR OTHER APPARATUS (INCLUDING AMPLIFIERS) THAT PRODUCE HEAT.
9. DO NOT DEFEAT THE SAFETY PURPOSE OF THE POLARIZED OR GROUNDING – TYPE PLUG. A POLARIZED PLUG HAS TWO BLADES WITH ONE WIDER THAN THE OTHER. A GROUNDING TYPE PLUG HAS TWO

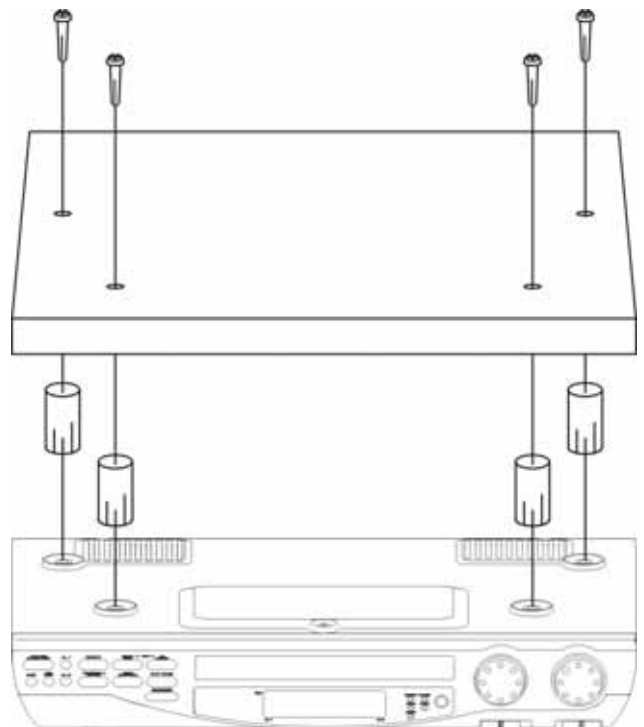
BLADES AND A THIRD GROUNDING PRONG. THE WIDE BLADE OR THE THIRD PRONG ARE PROVIDED FOR YOUR SAFETY. WHEN THE PROVIDED PLUG DOES NOT FIT INTO YOUR OUTLET, CONSULT AN ELECTRICIAN FOR REPLACEMENT OF THE OBSOLETE OUTLET.

10. PROTECT THE POWER CORD FROM BEING WALKED ON OR PINCHED PARTICULARLY AT PLUGS, CONVENIENCE RECEPTACLES, AND THE POINT WHERE THEY EXIT FROM THE APPARATUS.
11. ONLY USE ATTACHMENTS / ACCESSORIES SPECIFIED BY THE MANUFACTURER.
12. USE ONLY WITH THE CART, STAND, TRIPOD, BRACKET OR TABLE SPECIFIED BY THE MANUFACTURER, OR SOLD WITH THE APPARATUS. WHEN A CART IS USED, USE CAUTION WHEN MOVING THE CART / APPARATUS COMBINATION TO AVOID INJURY FROM TIP-OVER.
13. UNPLUG THIS APPARATUS DURING LIGHTNING STORMS OR WHEN UNUSED FOR LONG PERIODS OF TIME.
14. REFER ALL SERVICING TO QUALIFIED SERVICE PERSONNEL. SERVICING IS REQUIRED WHEN THE APPARATUS HAS BEEN DAMAGED IN ANY WAY, SUCH AS POWER-SUPPLY CORD OR PLUG IS DAMAGED, LIQUID HAS BEEN SPILLED OR OBJECTS HAVE FALLEN INTO THE APPARATUS, THE APPARATUS HAS BEEN EXPOSED TO RAIN OR MOISTURE, DOES NOT OPERATE NORMALLY, OR HAS BEEN DROPPED.

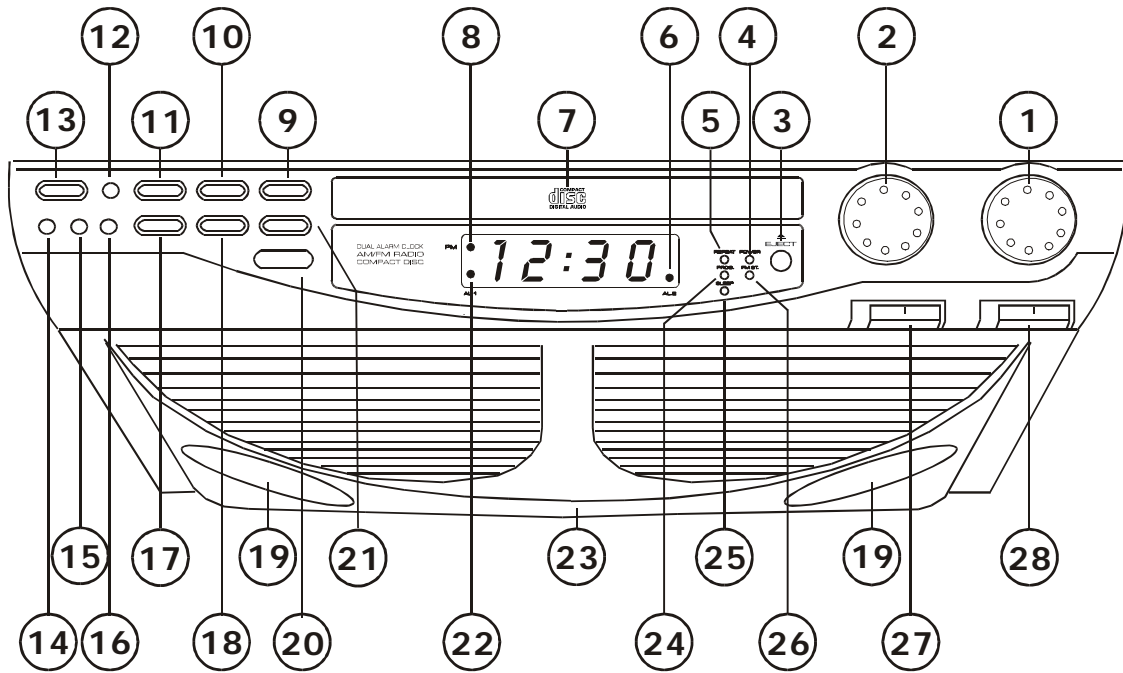
MOUNTING

1. Choose a spot near an electrical outlet.
2. Rotate the 4 mounting adapter to choose apposite gap between the unit and the spot.
3. Mark the mounting position, drill 4 hole x Dia.6 mm.
4. Install the mounting adapter on the spot.

Note : Fixings used to mount this unit must be suitable for construction material if in doubt consult builder.



CONTROL FUNCTIONS



- | | |
|--|---------------------------------------|
| 1. Tuning Knob | 15. CD Track Display Button |
| 2. Volume Knob | 16. Alarm 2 Button |
| 3. Eject Button | 17. CD: Program Button |
| 4. Power On Indicator | 18. CD: Stop/Clock Adjusting Button |
| 5. CD: Repeat Indicator | 19. Speakers |
| 6. Alarm 2 Indicator | 20. Snooze Button |
| 7. CD Door | 21. CD: Play/Pause Button |
| 8. Time: PM Indicator | 22. Alarm 1 Indicator |
| 9. CD Skip Up/Hour Button | 23. Battery Compartment |
| 10. CD Skip Down/Minute Button | 24. CD: Program Indicator |
| 11. Play Mode Button
(Repeat1/Repeat All/Random/Normal) | 25. Random Indicator |
| 12. Alarm 1 Button | 26. FM Stereo Indicator |
| 13. Power/Alarm Off Button | 27. Function Switch (AM/FM/CD/Buzzer) |
| 14. Sleep Button | 28. FM Mono / Stereo |

POWER SUPPLY

AC power: 230V/50Hz

DC power: 9V battery type 006P (not included) for clock back up only. An alkaline type battery is recommended. For optimum performance, this battery should be replaced every six months.

1. Insert the AC power cord into an appropriate socket.
2. connect the 9V battery inside the battery compartment.

SETTING THE TIME

Time setting on the unit should be done in POWER OFF mode only. Clock is capable of alternately displaying the 12 hour AM / 12 hour PM / 24

1. Press and hold Stop/Clock adjusting button about 3 seconds to select 12 or 24 hour display. The clock is capable of alternately displaying the "12H" or "24H". Release Stop/Clock adjusting button to store your setting in memory.
2. Press CD: Stop/Clock adjusting button to enter the CLOCK setting mode. The display digit will flash
3. Press CD: Skip Up/Hour button to adjust HOUR.
4. Press CD: Skip Down/Minute button to adjust MINUTE.
5. Press CD: Stop/Clock adjusting button again to store your setting in memory.

PLAYING A CD

1. Press Power/Alarm Off button to turn on the unit.
2. Set Function switch to CD position.
3. Press Eject button to open the CD compartment.
4. Place a CD into the CD compartment (CD printed side facing up)
5. Press Eject button again to close the CD compartment.
6. Press Play/Pause button to playing a CD, the LED display will indicate the current playing track number. Adjust the level of sound by tuning the Volume knob. Press Stop/Clock adjusting button to stop the playing.

NOTE: You can press the CD DISPLAY button to view the number of CD track, then it will return to the clock time after few seconds.

PAUSE & SKIP FEATURES

1. Start playing your CD as the above mentioned procedures.
2. Press Play/Pause button to pause the playing of the current track. Press the same button again to continue the playing.
3. Press Up/Minute button to advance one track. Hold this button down to advance quickly through the tracks.
4. Press Down/Hour button to return to previous track. Hold this button down to return quickly to the beginning track.

PROGRAMMED CD PLAY

This function allows you to preset the order in which a series of tracks will be played.

1. Insert a CD as mentioned above. Press Program/Store button, the Track Memory (e.g. P 01) will appear and the Program Indicator will flash.
2. Press Up/Hour button or Down/Minute button briefly to locate the particular track, then press the Program/Store button again to store the selected track(s) in the memory. Up to 20 tracks can be registered by repeating Step 2.
3. If you want to review the tracks which you have programmed, press Program/Store button repeatedly.
4. After completion of the programming, press Play/Pause button, the tracks will be played in stored order.
5. If you want to clear all programmed tracks, press Program/Store button and then press Stop/Clock adjusting button.

REPEAT/RANDOM CD PLAY

If you wish to listen to a track all tracks over and over again, the repeat function will allow you to do so.

1. Start playing a CD.
2. Press Play Mode button once to repeat the current track. the Repeat Indicator will flash.
3. Press Play Mode button again to repeat all tracks. The Repeat Indicator will be on.
4. Press PLAY MODE button one more time to enter the RANDOM mode, the RANDOM indicator will alight.
5. If you want to cancel the previous repeat/random setting, press Play Mode button again till to Repeat and Random Indicator off.

RADIO OPERATION

1. Press Power/Alarm Off button to switch on the unit.
2. Slide Function Switch to AM or FM position.
3. Turn Radio Tuning Knob to select your desired radio station.
4. Adjust Volume knob to your desired level.
5. If you want to switch the Radio off, press Power/Alarm Off button again.

NOTE:

For FM reception, there is FM Antenna/Aerial on the rear of the unit. Extend the Antenna/ Aerial and move it around to obtain to the best reception.

For FM stereo reception, if the FM stereo signal is received, FM Stereo Indicator will be on automatically.

SETTING THE ALARM

This unit allows you to set two different alarm time during the unit is off or the unit is on Radio or CD mode.

1. Press AL1 button for setting the Alarm 1, the AL1 Indicator will be on and the alarm time will flash.
2. Press Skip Up/Hour button to set the hour and press Skip Down/Minute button to set minute.
3. Press AL1 button again to store your setting in the memory, the AL1 indicator will be still on.
4. Press AL2 button for setting the Alarm 2, the AL2 Indicator will be on and the alarm time will flash. Other steps are same as above mentioned step 2-3.

WAKE TO RADIO

1. Follow the procedures 1-4 in RADIO OPERATION section to select your desired Radio Station.
2. Follow the procedures 1-3 in SETTING THE ALARM section to set the Alarm 1.
3. Press Power/Alarm Off button to turn the unit off.
4. If you need to set the Alarm 2, repeat the above mentioned Step 1-3.

WAKE TO CD

1. Follow the procedures 1-6 in PLAYING A CD section.
2. Follow the procedures 1-3 in SETTING THE ALARM section to set the Alarm 1.
3. Press Power/Alarm Off button to turn the unit off.
4. If you need to set the Alarm 2, repeat the above mentioned Step 1-4.

NOTE: This function automatically setting in repeat all mode to avoid your CD track too short in alarm. If you forget insert CD or disc error, It will automatically change to wake by buzzer.

WAKE TO BUZZER

1. Follow the procedures 1-3 in SETTING THE ALARM section.
2. Slide the Function switch to Buzzer position.
3. Press Power/Alarm Off button to turn the unit off.
4. If you need to set the Alarm 2, repeat the above mentioned Step 1-4.

SNOOZE CONTROL

The Snooze button allows the user an extra sleep time of about 5 minutes after the CD/Radio/Buzzer is switch on to the pre-set wake-up time.

SLEEP TO MUSIC

The CD or Radio can be set to play on and switch off automatically for a period of time from 15, 30, 60 or 90 minutes by following the procedures below:

1. Start playing a CD or Radio.
2. Press Sleep button to set the desired time until the clock shows the exact sleep time (90>60>30>15 minutes) you wish the CD or Radio to continue to play before switching the unit off.
3. After 3 seconds, your setting will be stored in the memory.
4. To turn off the music before the end of the registered sleep time period, simply press Power/ Alarm Off button.
5. Press Sleep button again to set the sleep time in "00", so as to cancel the sleep function.

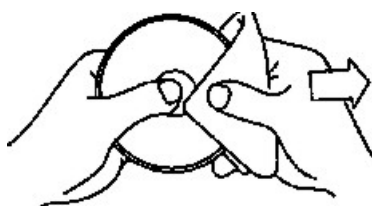
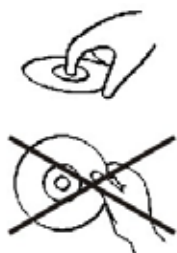
CLEANING AND MAINTENANCE

Before cleaning please make sure unit is unplugged from the mains power supply.

To clean the case of your unit use a soft damp cloth. After cleaning wipe the case with dry cloth. Never use harsh cleaners, solvents or furniture polish. To ensure the highest performance from your unit.

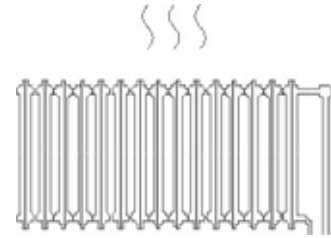
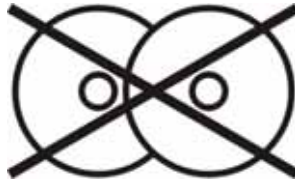
Advise on CD

- When holding the discs, take care not to touch the playing surface. Never use a CD if it is cracked, deformed or has been repaired with tape or adhesive. When you have finished playing a CD, remove it from the CD player and store it in its protective case. To clean a CD of finger prints and other dirty marks gently wipe the CD with a soft lint free cloth from the centre of the CD outwards.



- Do not place discs in the following locations: near a heating device or a place where the temperature

is high, or in damp or dusty areas.



TROUBLE SHOOTING

In case of trouble, before you call your service agent, determine the symptoms and make few simple checks as follows:

SYMPTOMS	CHECKS
Power switched on, but no function. Poor AC power plug connection to wall outlet. No power to wall plug.	Ensure correct AC plug connection to the wall outlet. Replace fuse, or circuit breaker may be open.
No sound or distorted sound from speakers Volume Control is at "minimum" position. PAUSE button pressed in.	Adjust Volume Control to a higher sound level. Press and release PAUSE button.
After closing the door the display indicated NO DISC. Disc is not inserted with the label side facing upwards or no disc has been inserted.	Turn disc over or insert a disc.
The sound is poor, distorted or keeps jumping. CD is dirty or badly scratched	Clean the CD, or try another clean CD.

SPECIFICATIONS

Amplifier	Output	:	1.5 Watt RMS
	Frequency Response	:	60 – 20.000 (+/- 10 dB)
CD	Frequency Response	:	30 Hz – 20 kHz
	Dynamic Range	:	60 dB
	Harmonic Distortion	:	0,5%
	Channel Separation	:	35 dB
	Signal Noise Rate	:	50 dB
Radio	Frequency Range	:	AM 540 – 1600 kHz
		:	FM 87.5 – 108 MHz
Other	Power Supply	:	AC 230V~ 50 Hz DC 9V for Clock back-up
	Power Consumption	:	15 W

The manufacturer reserves the right to change design and specification without any notice.

INSTRUCTIONS ON ENVIRONMENT PROTECTION



Do not dispose of this product in the usual household garbage at the end of its life cycle; hand it over at a collection point for the recycling of electrical and electronic appliances. The symbol on the product, the instructions for use or the packing will inform about the methods for disposal.

The materials are recyclable as mentioned in its marking. By recycling, material recycling or other forms of re-utilization of old appliances, you are making an important contribution to protect our environment.

Please inquire at the community administration for the authorized disposal location.